

#990001

**Knitted Hand Protector - Half**

**Color:** clear  
**Size:** free  
**Package:** 1 pair/bag



#990002

**Knitted Hand Protector - Full**

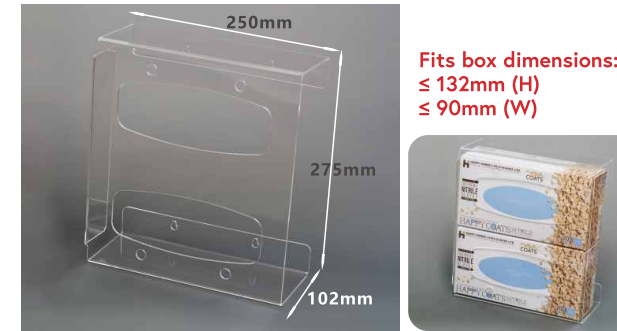
**Color:** white  
**Size:** free  
**Package:** 1 pair/bag



#990010

**Gloves & Tissue Box Holder type 6**

**Color:** clear  
**Size:** 250mm L x 102mm W x 275mm H  
**Package:** 1 piece/box  
**Remarks:** Use only soap and water on acrylic surface. Alcohol or ammonia-based disinfectants may cause cracks to appear.

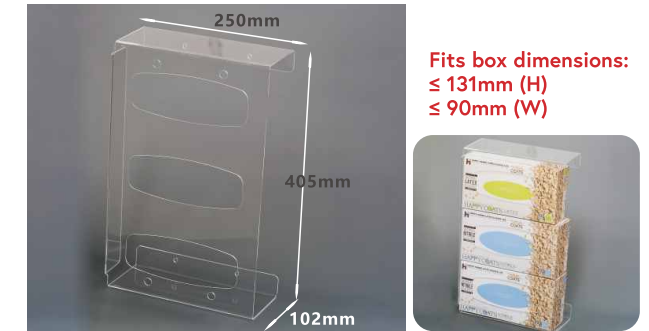


**Fits box dimensions:**  
 ≤ 132mm (H)  
 ≤ 90mm (W)

#990011

**Gloves & Tissue Box Holder type 7**

**Color:** clear  
**Size:** 250mm L x 102mm W x 405mm H  
**Package:** 1 piece/box  
**Remarks:** Use only soap and water on acrylic surface. Alcohol or ammonia-based disinfectants may cause cracks to appear.

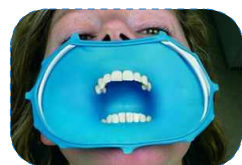
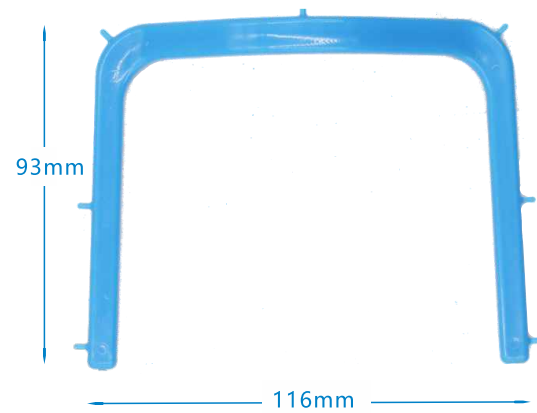


**Fits box dimensions:**  
 ≤ 131mm (H)  
 ≤ 90mm (W)

#990998

**Dental Dam Frame - Plastic**

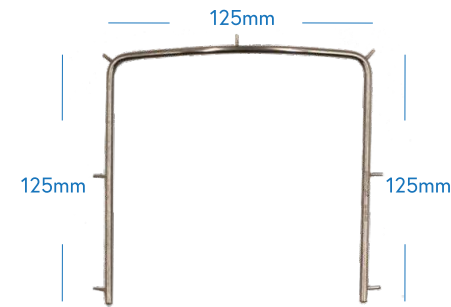
**Color:** blue  
**Size:** 116mm x 93mm  
**Package:** 1 piece/bag  
**Remarks:** Autoclavable up to 135°C



#991000

**Dental Dam Frame - Stainless Steel**

**Color:** silver  
**Size:** free  
**Package:** 125mm L X 125mm W  
**Remarks:** Autoclavable up to 135°C



#990009

**Gloves & Tissue Box Holder type 5**

**Color:** clear  
**Size:** 250mm L x 102mm W x 145mm H  
**Package:** 1 piece/box  
**Remarks:** Use only soap and water on acrylic surface. Alcohol or ammonia-based disinfectants may cause cracks to appear.



**Fits box dimensions:**  
 ≤ 135mm (H)  
 ≤ 90mm (W)

#990905

**Saliva Ejector Cushions**

**Color:** blue  
**Size:** 25mm Dia. x 15.8mm L  
**Package:** 50pcs/bag  
**Remarks:** These cushions are used together with saliva ejectors. The cushion fits and slides easily over the saliva ejector to help prevent tissue grabbing or irritation, lowers suction noise and provides efficient suction and evacuation with maximum patient comfort. Made from non-latex open cell foam.



#990005

**Gloves & Tissue Box Holder type 1**

**Color:** clear  
**Size:** 255mm L x 110mm W x 120mm H  
**Package:** 1 piece/box  
**Remarks:** Use only soap and water on acrylic surface. Alcohol or ammonia-based disinfectants may cause cracks to appear.



#990006

**Gloves & Tissue Box Holder type 2**

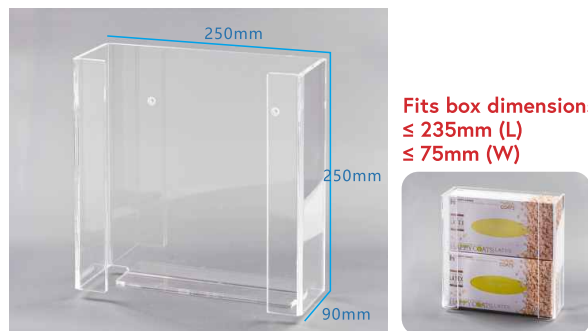
**Color:** clear  
**Size:** 250mm L x 90mm W x 125mm H  
**Package:** 1 piece/box  
**Remarks:** Use only soap and water on acrylic surface. Alcohol or ammonia-based disinfectants may cause cracks to appear.



#990007

**Gloves & Tissue Box Holder type 3**

**Color:** clear  
**Size:** 250mm L x 90mm W x 250mm H  
**Package:** 1 piece/box  
**Remarks:** Use only soap and water on acrylic surface. Alcohol or ammonia-based disinfectants may cause cracks to appear.



#990008

**Gloves & Tissue Box Holder type 4**

**Color:** clear  
**Size:** 250mm L x 90mm W x 375mm H  
**Package:** 1 piece/box  
**Remarks:** Use only soap and water on acrylic surface. Alcohol or ammonia-based disinfectants may cause cracks to appear.

